

# Firmware Change Instruction

**Product:** I-O 4440 BarCode Interface      **Date:** April 14, 1998

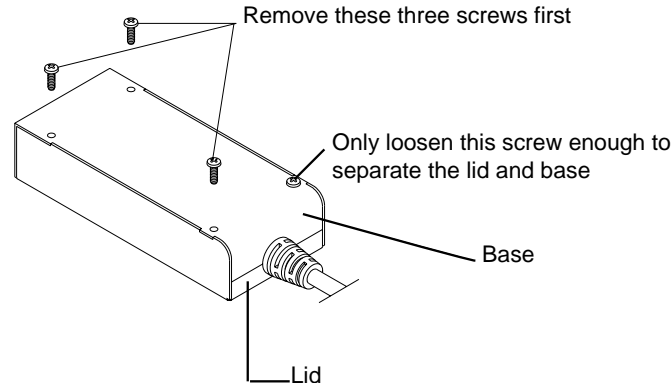


**Document No.:** MINIDX-INST01-AA1

---

Follow the steps below to change the firmware EPROM on your I-O 4440 BarCode Interface:

1. Power off the printer and the interface.
2. Detach the I-O 4440 from the printer and disconnect all cables from the I-O 4440.
3. Remove the three screws on the I-O 4440 bottom panel as indicated in figure 1 below. Loosen the screws by the parallel or serial connector enough to separate the panels. This screw is also secured from the inside and should not be entirely removed.



**Figure 1**

4. Carefully separate the lid and the base.
5. Locate the EPROM. It is the chip with the white label on it. The label starts with "(C) SDE".
6. Carefully remove the EPROM by prying with a small flat-blade screwdriver. Do not damage the socket connector or the circuit board or components underneath the EPROM.

7. Install the new firmware EPROM, making sure that the notch in the EPROM points away from the panel with the twinax/coax connector and the rotary switch (see figure 2). The EPROM will only function if installed in this manner. Make certain all legs on the EPROM are inserted into the appropriate hole in the socket connector.

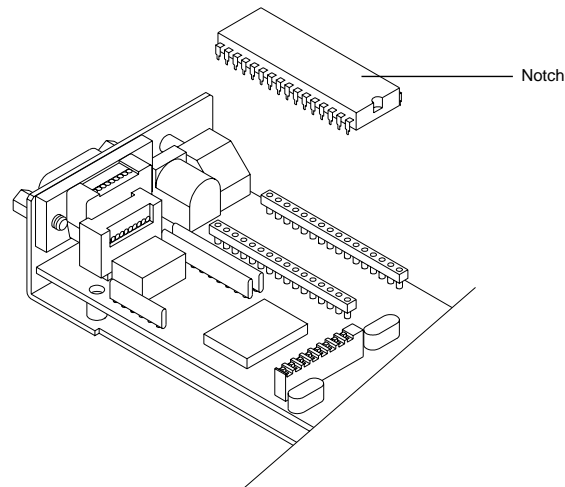


Figure 2

8. Before putting the lid and base back together, make sure that metal stand-off, the ground cable from the I-O 4440's serial or parallel cable, and the little washer are positioned over the long screw next to the parallel or serial cable (see figure 3).

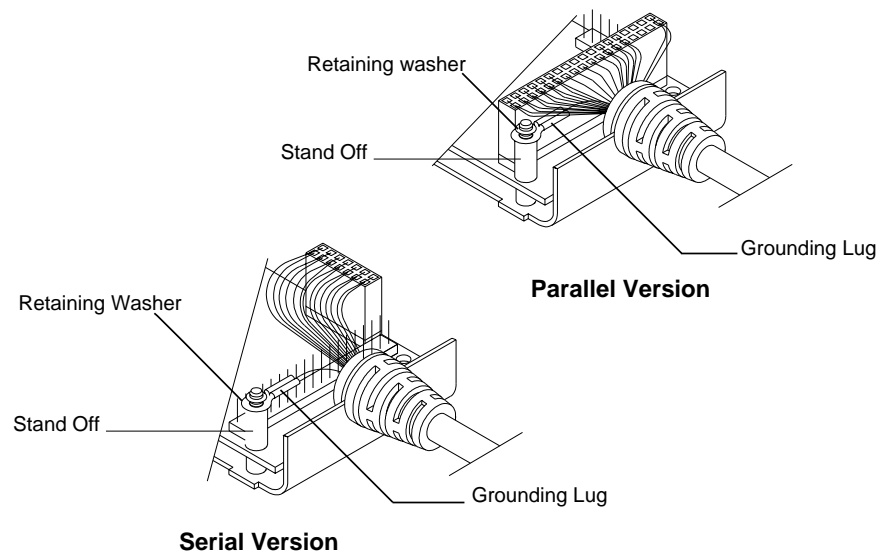


Figure 3

9. Place the top panel over the bottom panel.
10. While holding the panels together, replace the screws on the bottom panel.
11. Follow the instructions in your I-O 4440's User's Guide or Getting Started Guide to re-attach the I-O 4440 and print a self-test.

I-O Corporation

Internet: <http://www.iocorp.com>

U.S.A.: 1490 North 2200 West Suite 100 • Salt Lake City, Utah 8411116 • 801-973-6767 • Fax: 801-974-5683